

Fronius Galvo 208-240 - Quick Installation



Incorrect operation and work performed incorrectly can cause serious injury and damage to property. Only qualified staff are authorized to install your inverter and only within the scope of the respective technical regulations.

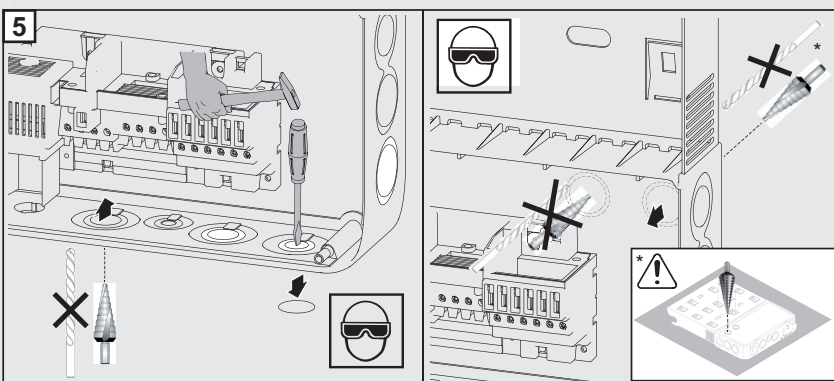
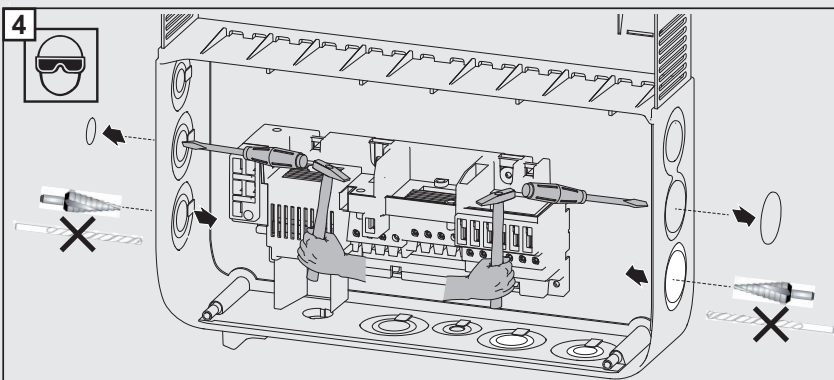
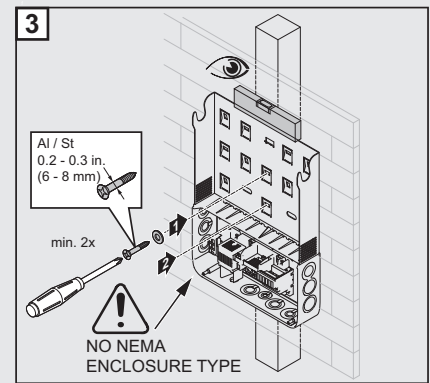
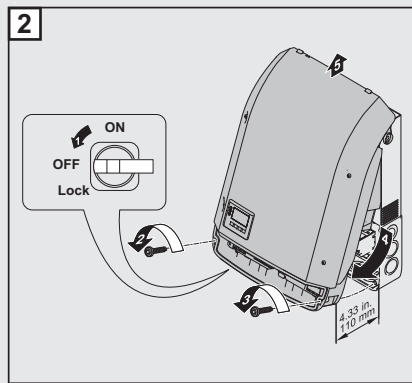
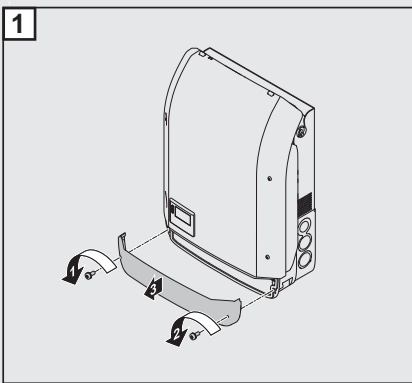
Do not start operation or carry out any installation or maintenance work until you have read the "Safety" chapter in the installation manual of this inverter.

For further details see the installation manual of this inverter.

The inverter comes with a GFDI fuse for negatively grounded solar modules as standard.

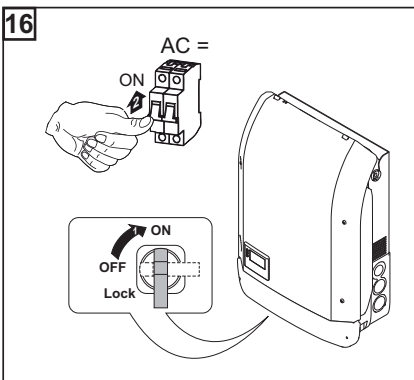
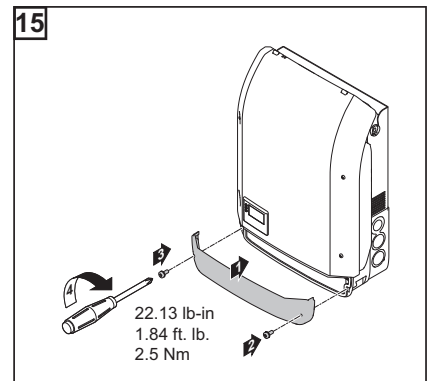
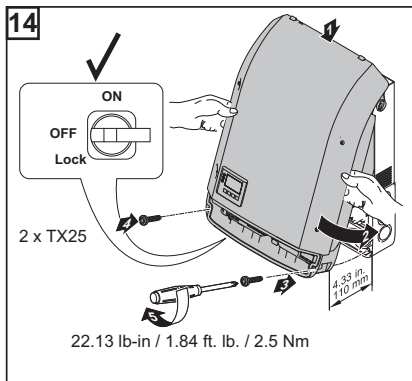
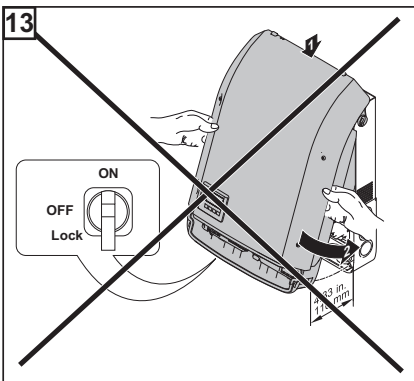
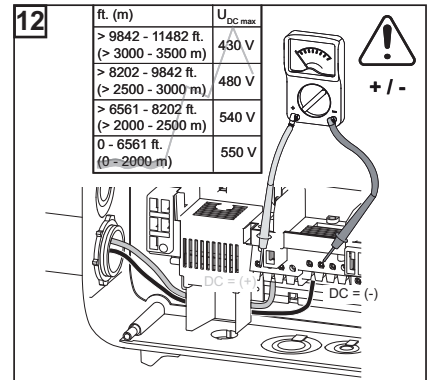
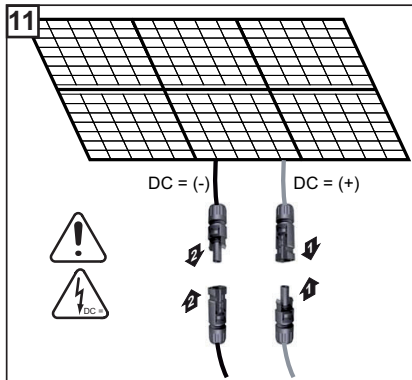
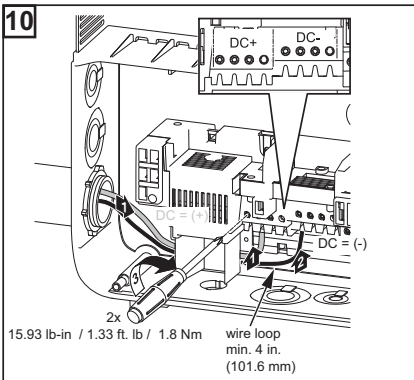
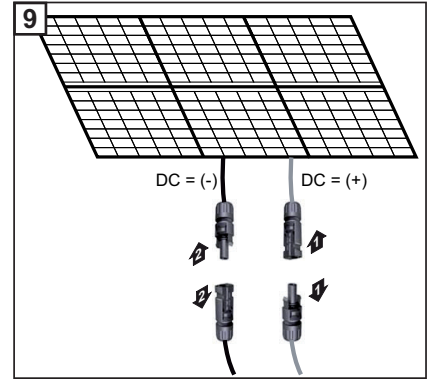
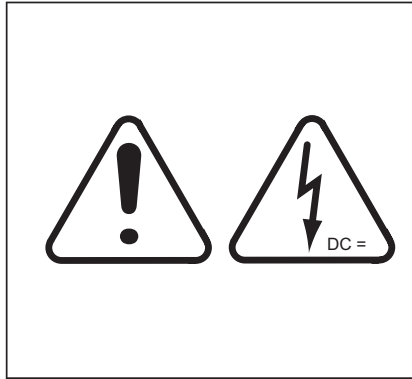
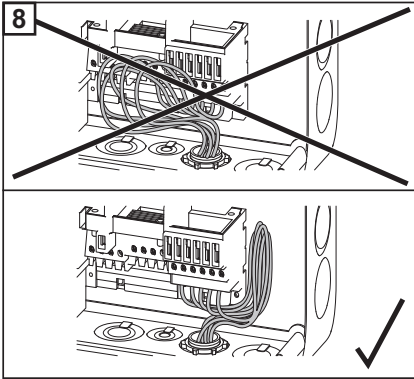
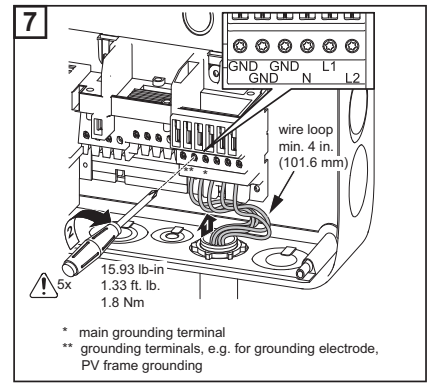
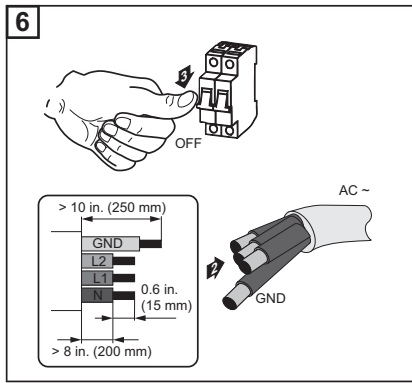
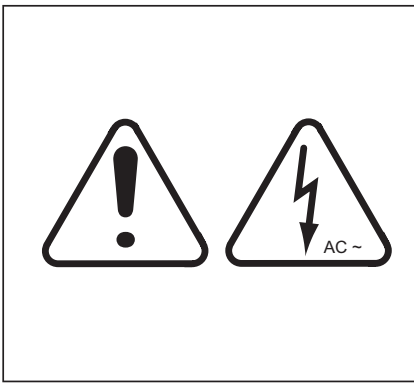
CAUTION when using ungrounded or positive grounded solar modules.

Remove the GFDI fuse according to the installation manual!



Remove metal knockout-parts fallen into the connection area before hanging the inverter to the wall bracket!





* Setups:

- 240N
- 240
- 208N
- 208
- 220N
- 220